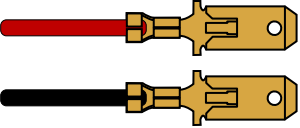
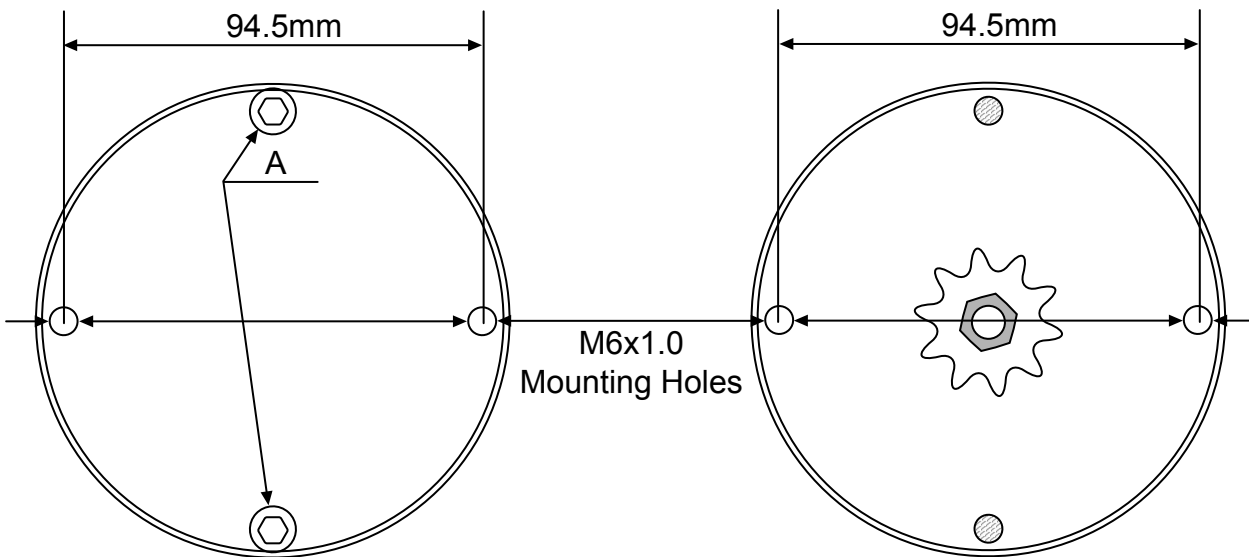
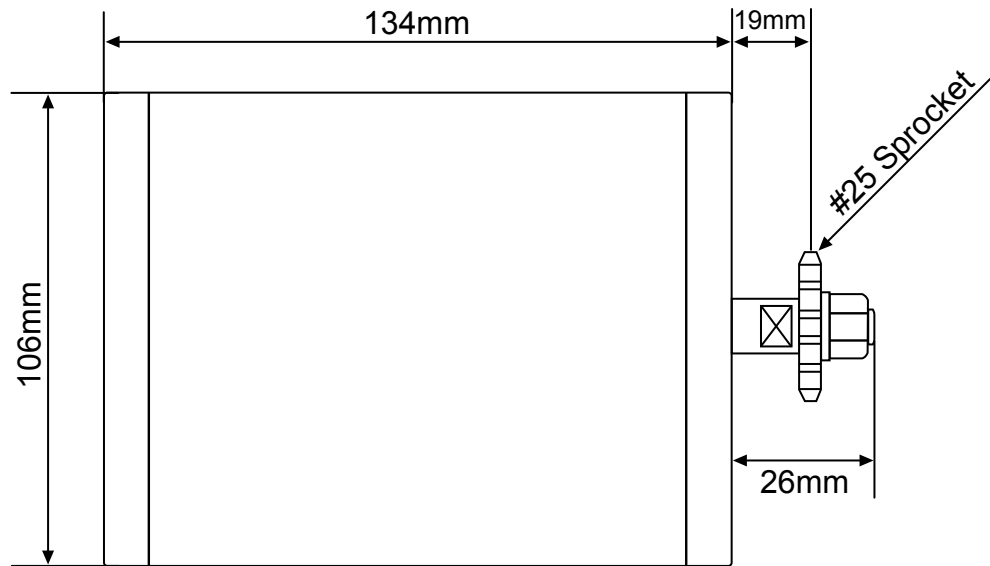


# MOT-36500X2500 36 Volt 500 Watt Brush DC Motor

Operating Voltage: 36 Volts DC  
Rated Power: 500 Watts Continuous Duty  
RPM: 2500  
Power Wires: 2 (Red, Black)  
Power Wire Terminals: 6.3mm White Connector Terminals

Motor Power Wires		Red to Controller Positive Black to Controller Negative
-------------------	---	--



A = Recessed motor assembly bolts provide a flat backplate with no bolt heads protruding out of it.