

MOT-481000 48 Volt 1000 Watt Brush DC Motor

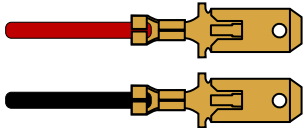
Operating Voltage: 48 Volts DC

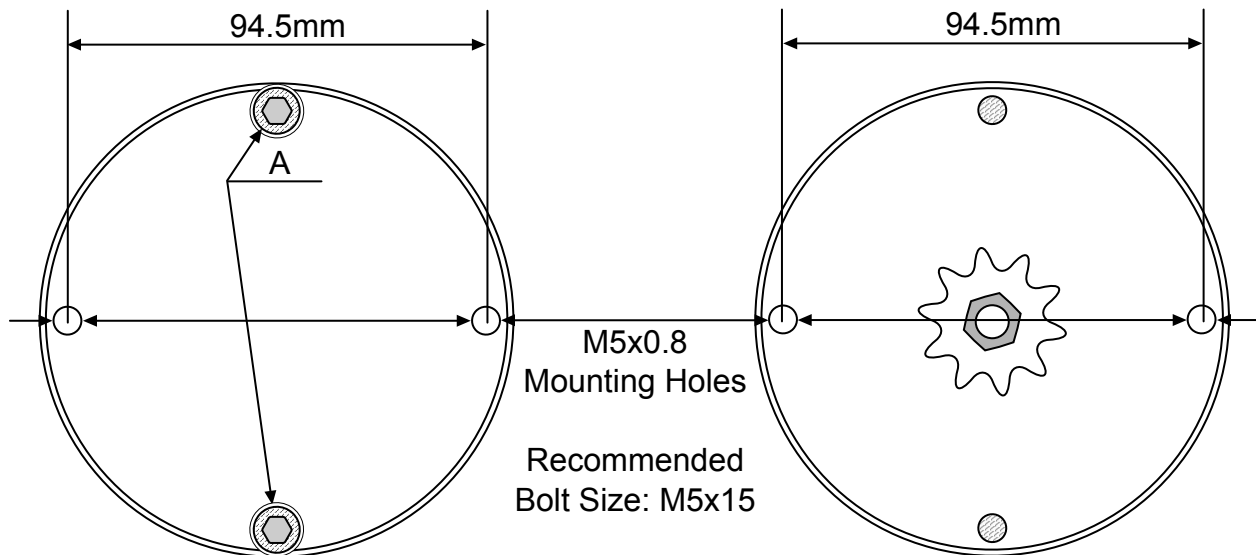
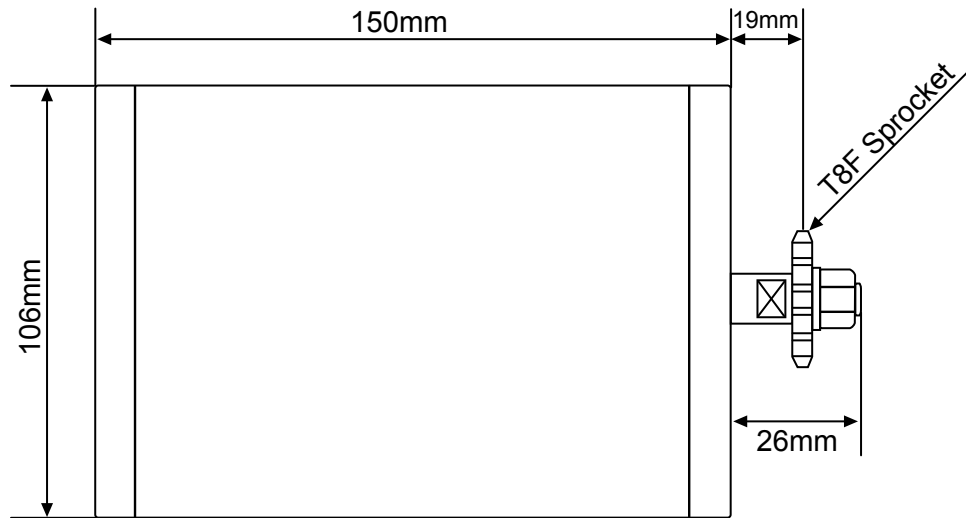
Rated Power: 1000 Watts Continuous Duty

RPM: 3000

Power Wires: 2 (Red, Black)

Power Wire Terminals: 6.3mm White Connector Terminals

Motor Power Wires		Red to Controller Positive Black to Controller Negative
-------------------	---	--



A = Recessed motor assembly bolts provide a flat backplate with no bolt heads protruding out of it.