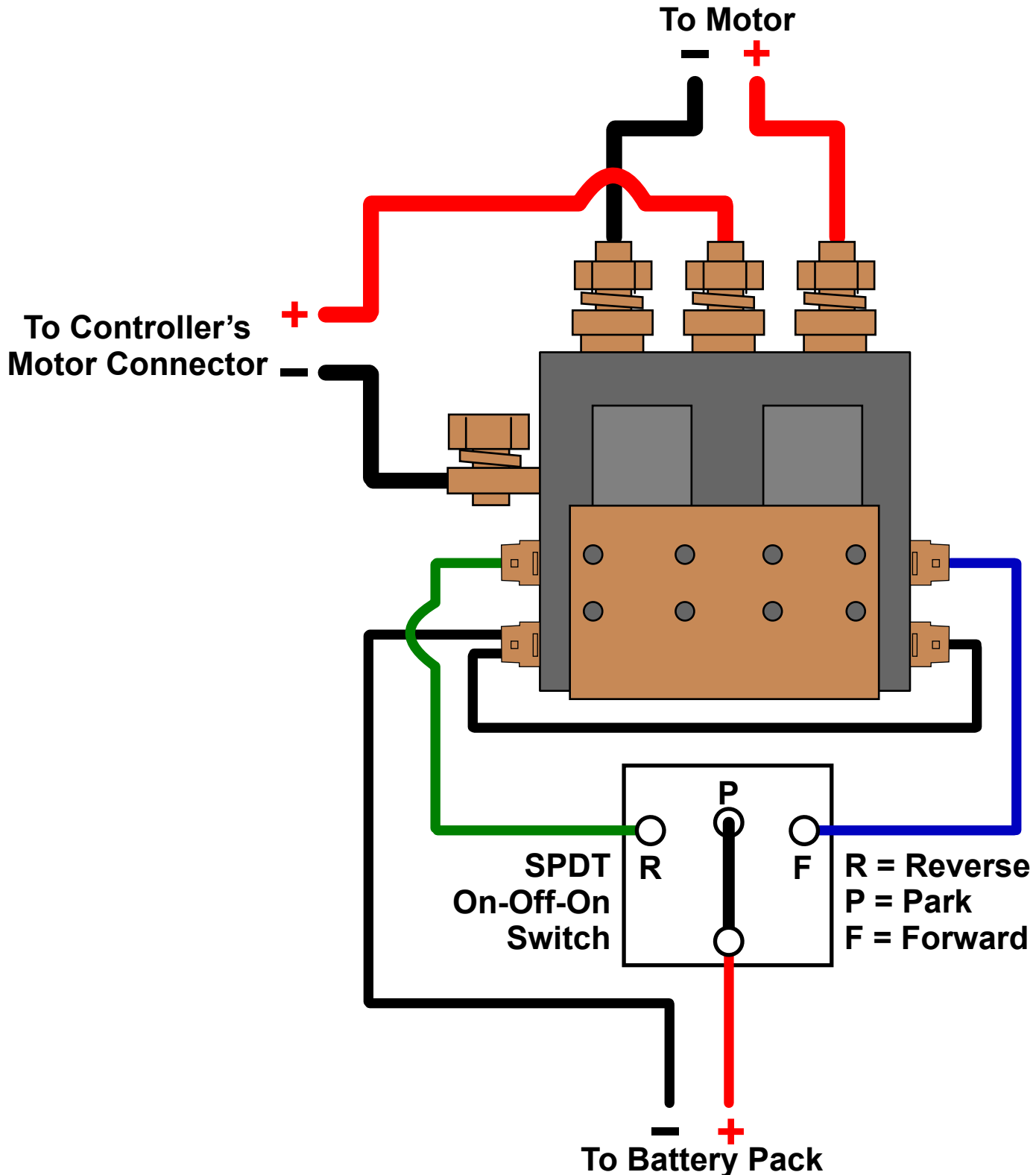


Reverse Contactor Wiring Diagram



*A pole of the main power switch or a relay that is activated by the main power switch should be wired between the battery pack and reverse contactor so the reverse contactor's coil will not remain energized if its switch is left in the forward or reverse positions while the vehicle is not being used.