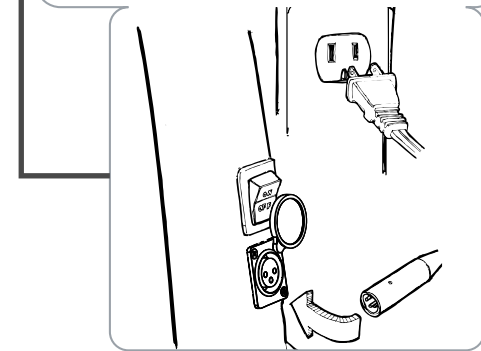


# 1000 scooter QuickStart guide

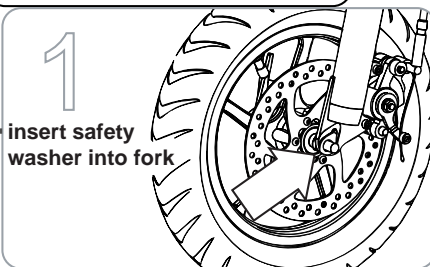
refer to owners manual for complete assembly instructions

## charge 6-8 hours before first use

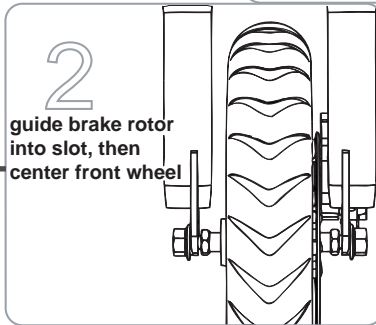


re-charge immediately after each use for 6-8 hours

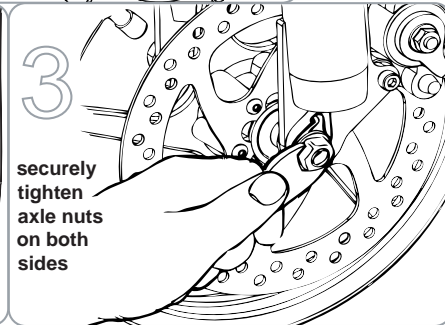
## front wheel assembly



1 insert safety washer into fork

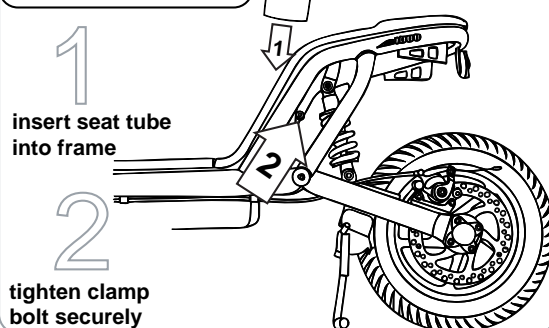


2 guide brake rotor into slot, then center front wheel

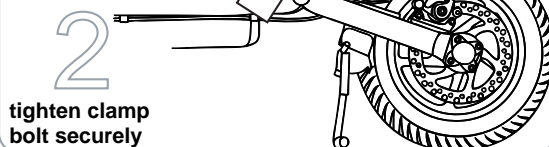


3 securely tighten axle nuts on both sides

## seat assembly

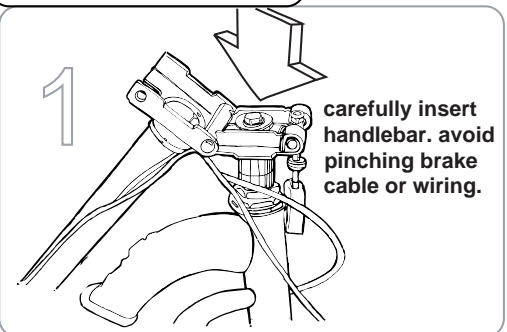


1 insert seat tube into frame



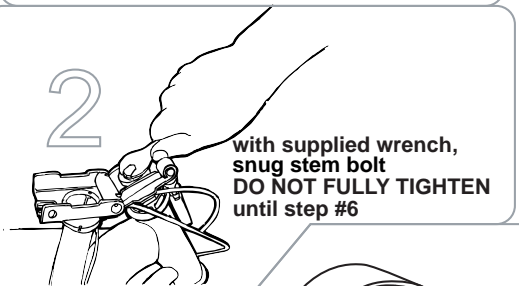
2 tighten clamp bolt securely

## handlebar assembly



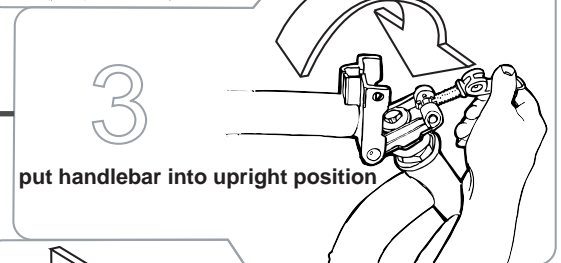
1

carefully insert handlebar. avoid pinching brake cable or wiring.



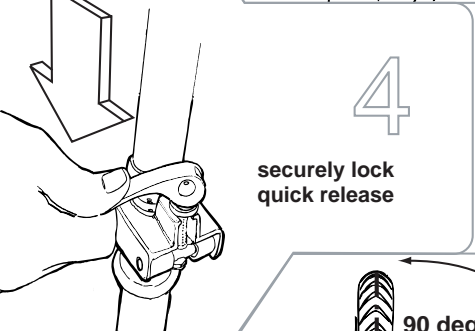
2

with supplied wrench, snug stem bolt DO NOT FULLY TIGHTEN until step #6



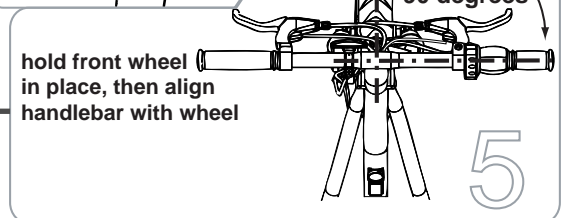
3

put handlebar into upright position



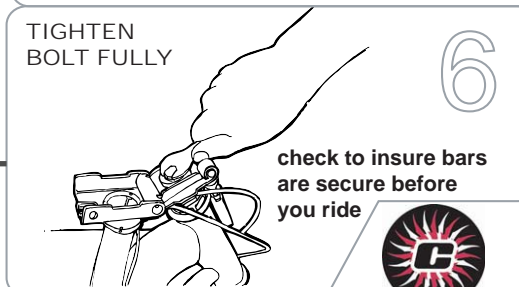
4

securely lock quick release



hold front wheel in place, then align handlebar with wheel

5



TIGHTEN BOLT FULLY

6

check to insure bars are secure before you ride



CURRIE

Customer Service (800) 377-4532  
www.CurrieTech.com