



## DXT™ DRIFT TRIKE



# OWNER'S MANUAL

**Read and understand this entire manual before allowing child to use this product! For assistance contact Razor.  
DO NOT RETURN TO STORE.**

**NOTE: Manual illustrations are for demonstration purposes only.  
Illustrations may not reflect exact appearance of actual product.  
Specifications subject to change without notice.**

**Please have your product along with the 22 character product I.D. code with you  
before contacting Razor for warranty assistance and/or replacement parts.**

**Product I.D. Code: \_\_\_\_\_ - \_\_\_\_\_ - \_\_\_\_\_**

# CONTENTS

Safety Warnings .....	1	Usage .....	7-8
Before You Begin.....	2	Repair and Maintenance.....	9-13
Assembly and Set-Up.....	3-5	Product Parts.....	14
Pre-Ride Checklist.....	6	Warranty and Contact Information .....	15

# SAFETY WARNINGS

**⚠ WARNING:** The DXT Drift Trike is not the same as an “ordinary” tricycle and therefore may require greater skill to ride than an ordinary tricycle. It is not for young children. The DXT is designed to allow movement forward and extreme sideways drifting. Using this product requires open space, free of other traffic or obstacles, and it is best ridden by a practiced rider aware of the product’s capabilities and willing to accept risks associated with drifts and fast moving actions.

Riding any product can be a hazardous activity. Certain conditions may cause the equipment to fail without fault of the manufacturer. Like other products, the DXT Drift Trike can and is intended to move, and it is therefore possible to lose control, fall off and/or get into dangerous situations that no amount of care, instruction or expertise can eliminate. If such things occur you can be seriously injured or die, even when using safety equipment and other precautions. **RIDE AT YOUR OWN RISK AND USE COMMON SENSE.**

**⚠ WARNING: PARENTAL AND ADULT RESPONSIBILITY AND SUPERVISION NECESSARY:** Because products, like the DXT Drift Trike, can and do present potential hazards plainly associated with their use, it is well recognized THE NEED FOR EXERCISE OF PARENTAL RESPONSIBILITY IN SELECTING RIDING PRODUCTS APPROPRIATE TO THE AGE OF A CHILD, OR PARENTAL SUPERVISION IN SITUATIONS IN WHICH CHILDREN OF VARIOUS AGES MAY HAVE ACCESS TO THE SAME RIDING PRODUCTS, IS IMPORTANT. Not every product is appropriate for every age or size of child, and different age recommendations are found within this category of product which are intended to reflect the nature of the hazards and the expected mental or physical ability, or both, of a child to cope with the hazards. **Razor recommends that the DXT Drift Trike be ridden only by riders aged 14 and up.**

- Always wear safety equipment, such as helmet, wrist guards, gloves, knee pads and elbow pads. Recognize that wrist guards may impair your ability to properly grip the handlebars. Always wear a helmet when riding your drift trike and keep the chinstrap securely buckled.
- Always wear shoes.
- A parent’s decision to allow his or her child to ride this product should be based on the child’s maturity, skill and ability to follow rules.
- This drift trike was manufactured for performance and durability, but it is not impervious to damage. Trick riding can overstress or damage any product, including this drift trike, and the rider assumes all risks associated with high stress activity.
- Ride on smooth, paved surfaces away from motor vehicles and other hazards; riding on open public roads is dangerous.
- Avoid streets and surfaces with water, sand, gravel, dirt, leaves and other debris.
- Loose or wet surfaces may further enhance risks when using this product including braking.
- Install safety flag to increase visibility to others when riding.
- Never hitch a ride with another vehicle
- Do not ride at night or in reduced visibility conditions.
- Do not lean backwards when standing/riding on rear wing.
- Sudden braking may result in being thrown forward.
- Use extra caution on steep or long hills as the rider can gain speed quickly. Avoid excessive speeds as risks of loss of control, or of collisions or falls, will be greater.
- Practice and develop drifting skills on large flat, smooth surfaces away from motor vehicles and other hazards.
- Check and obey all local traffic laws and regulations.
- Watch out for pedestrians.
- Check and secure all fasteners before every ride.
- Replace worn or broken parts immediately.

- Do not exceed 198 lb (90 kg) total weight on the drift trike.
- Do not allow children under age fourteen (14) to use the drift trike.
- Rider weight does not necessarily mean rider’s size is appropriate to fit or maintain control of the drift trike.

## ACCEPTABLE RIDING PRACTICES AND CONDITIONS

Adult supervision is recommended. Drift trikes are meant to be used only in controlled environments free of potential traffic hazards. Do not allow rider to ride a drift trike in any areas where vehicle traffic is present. Rider must maintain a hold of the handlebars at all times. Never allow more than one rider at a time to ride a drift trike. Never use near steps, sloped driveways, hills, roadways, alleys or swimming pool areas. Do not ride a drift trike in wet weather. Drift trikes are intended for use on solid, clean and dry surfaces such as pavement or level ground without loose debris such as rocks or gravel. Wet, slick or uneven and rough surfaces may impair braking traction, and contribute to possible accidents. Do not ride a drift trike in mud, ice, puddles or water. Avoid excessive speeds that can be associated with downhill rides. Never risk damaging surfaces such as carpet or flooring by use of a drift trike indoors. Do not ride at night or when visibility is impaired.

Aggressive riding reduces your ability to maneuver and control. Take necessary precautions and practice in a safe area.

You will see people on TV and videos doing tricks or stunts. These are people who have been practicing a long time and accept the risks of trick riding activity. Do not assume that you can attempt to do the same tricks without great risk.

## PROPER RIDING ATTIRE

Always ensure rider is wearing proper protective equipment, such as an approved safety helmet. A helmet may be legally required by local law or regulation in your area. Always wear shoes and keep shoelaces tied and out of the way of the wheels. Never ride barefooted or in sandals. Long pants are recommended and may reduce risk of abrasion if legs come in contact with wheels when riding.

**⚠ WARNING:** ALWAYS INSPECT DRIFT TRIKE PRIOR TO RIDING. Properly inspecting and maintaining your drift trike can reduce the risk of injury. Always inspect your drift trike before riding and regularly maintain it.

**⚠ WARNING:** CHECK LOCAL LAWS REGARDING USE. Check local laws and regulations to see where and how you may use your drift trike legally. In many states and local areas riders are required BY LAW to wear a helmet. Check local laws and regulations regarding laws governing helmet use and drift trike operation in your area.

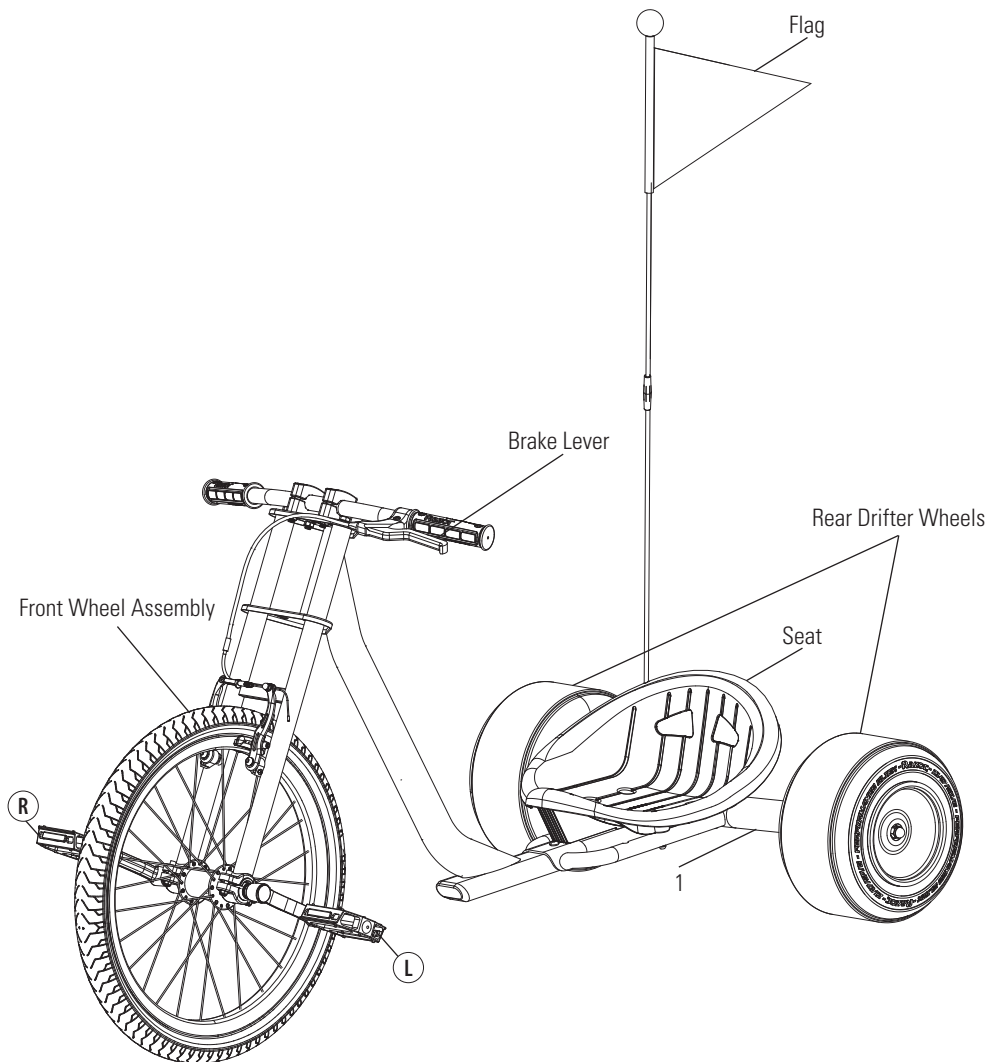
**FAILURE TO USE COMMON SENSE AND HEED THE ABOVE WARNINGS FURTHER INCREASES RISK OF SERIOUS INJURY. USE AT YOUR OWN RISK AND WITH APPROPRIATE AND SERIOUS ATTENTION TO SAFE OPERATION. USE CAUTION.**

## BEFORE YOU BEGIN

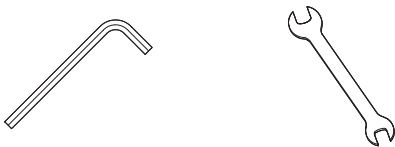
Remove contents from box and check parts against parts diagram found on page 14. Remove the separators that protect the components from damage during shipping. Inspect the contents of the box for scratches in the paint or dents that may have occurred during shipping. Because the DXT was partially assembled and packed at the factory there should not be any problems, even if the box has a few scars or dents.

### Estimated Assembly and Set-Up Time

Allow up to 15–20 minutes for assembly. **Two (2) person assembly recommended.**



### Required Tools



Two (2) 5 mm Allen Wrench    13 mm/15 mm Wrench  
6 mm Allen Wrench

**WARNING:** DO NOT USE NON-RAZOR PRODUCTS WITH YOUR DXT. The DXT has been built to certain Razor design specifications. The original equipment supplied at the time of sale was selected on the basis of its compatibility with the frame, fork and all other parts. Certain aftermarket products may not be compatible and will void your warranty.

**WARNING:** Safety flag is intended to increase rider's visibility to others. Do not bend excessively (flag can break if over stressed) nor remove from bracket when riding.

#### Product ID Locations:

**See locations to the left**

1. Frame (underneath unit)
2. Box - Side of UPC (not shown)

#### Box Contents:

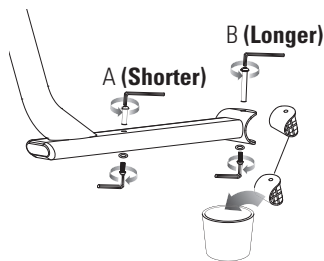
- DXT Drift Trike
- Tools
- Owner's Manual

**Need Help?** Visit our web site for replacement parts, product support, a list of authorized service centers in the US and customer service contact information at [www.razor.com](http://www.razor.com). Please have the product I.D. code (located on the white label of your product) available for better assistance. Additional Customer Service contact information is listed at the back of this manual.

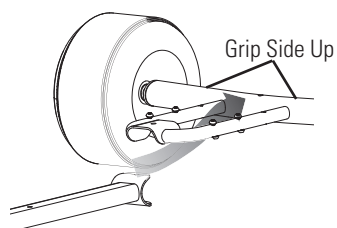
# ASSEMBLY AND SET-UP

## □ Assembling the Frame

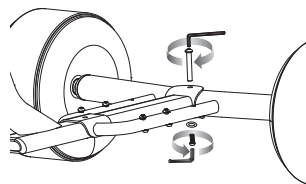
**Required Tools:** Two (2) 5 mm Allen Wrenches



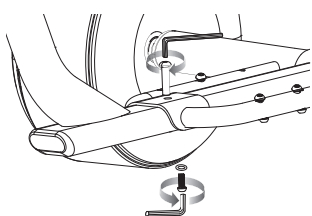
**1** Using two (2) 5 mm Allen wrenches, remove the two (2) coupling bolts from the downtube. Remove and discard the plastic insert.



**2** Connect the downtube to the rear frame and align the holes on the downtube with the holes on the rear frame.



**3** Re-insert the **longer** coupling bolt (B) through downtube and rear frame and tighten securely in place.



**4** Re-insert the **shorter** coupling bolt (A) through the center frame and downtube and tighten securely in place.

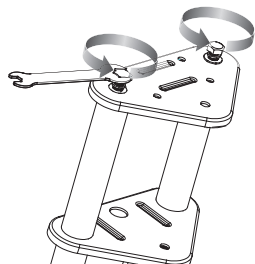
## □ Attaching the Front Fork

**Required Tools:** 5 mm Allen Wrench and 13 mm Wrench

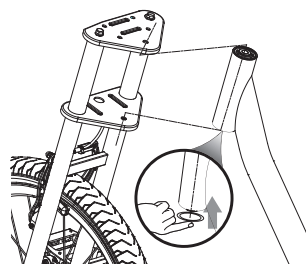


**1** Using a 5 mm Allen wrench and a 13 mm wrench, remove the steering bolt and locknut from the downtube.

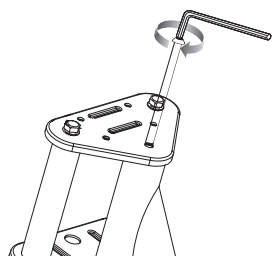
**Note:** Place finger underneath the downtube to prevent the bottom bushing from falling out and getting lost.



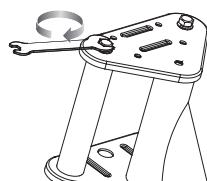
**2** Using a 13 mm wrench, loosen the two (2) bolts on the upper crown.



**3** Re-insert the bottom bushing into the downtube then carefully slide the downtube between the upper and lower crowns.



**4** Align the downtube with the hole in the upper and lower crown and re-insert the steering bolt. Securely tighten using a 5 mm Allen wrench and a 13 mm wrench.



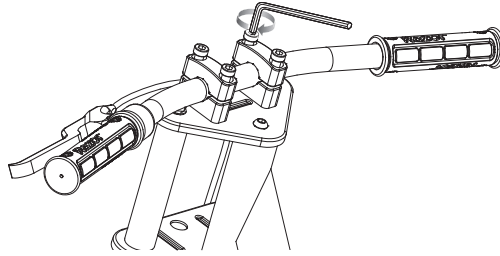
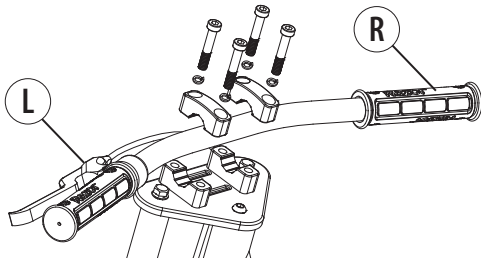
**5** Re-tighten the two (2) 13 mm bolts on the upper crown.

**⚠ WARNING:** Failing to properly tighten the steering bolt that attaches the front fork assembly to the frame assembly can cause you to lose control and fall.

# ASSEMBLY AND SET-UP

## Attaching the Handlebars

**Required Tool:** 6 mm Allen Wrench



**1** Place handlebars between the upper and lower handlebar clamps.

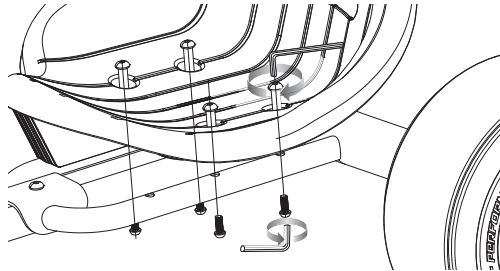
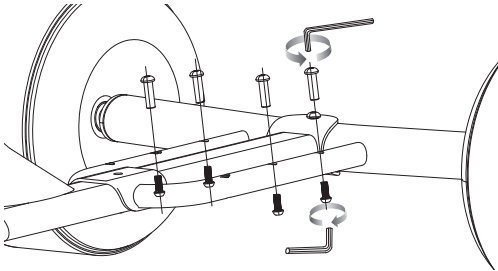
**Note:** Make sure brake lever is on the left (from sitting position).

**2** Align the handlebars parallel to the front fork. Using a 6 mm Allen wrench, tighten all four (4) bolts securely to the upper crown.

**Note:** When properly tightened, the handlebars should not move forward or backward.

## Attaching the Seat

**Required Tools:** Two (2) 5 mm Allen Wrenches

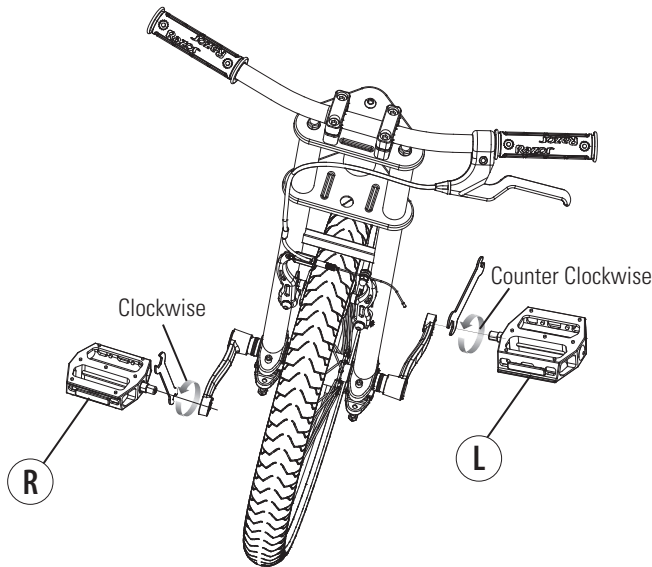


**1** Using two (2) 5 mm Allen wrenches, remove the four (4) coupling bolts from the frame.

**2** Place the seat at desired position and align the four (4) holes in the seat with the holes in the frame. Re-insert the coupling bolts and tighten bolts until seat is securely in place.

## Attaching the Pedals

**Required Tool:** 15 mm Wrench



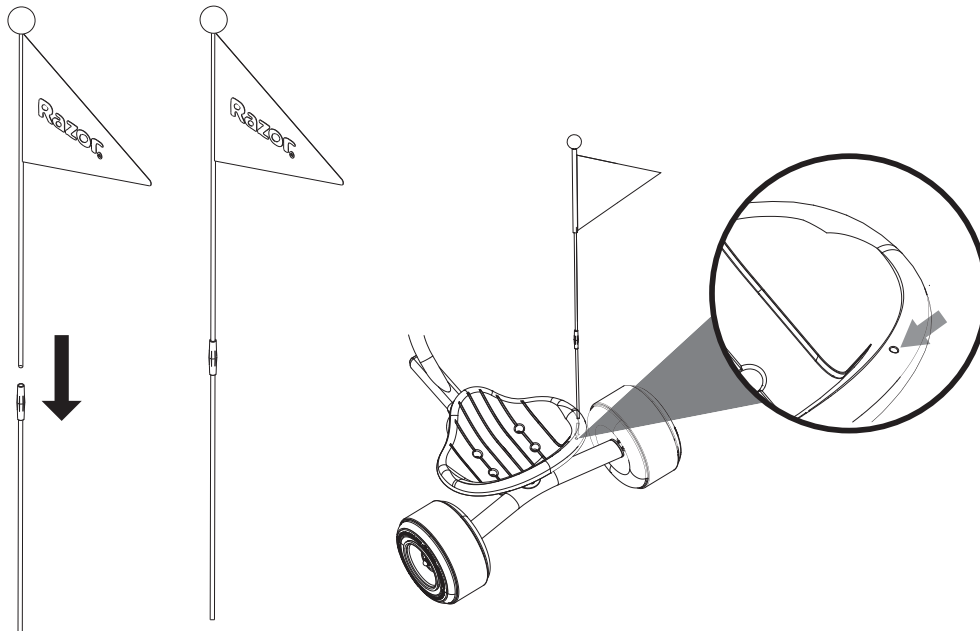
**1** Attach the pedals to the cranks then tighten securely in place with a 15 mm wrench.

**Note:** Pedals are marked with an **L** (Left) and an **R** (Right). Install the pedal marked **L** on the same side as the brake lever.

**Need Help?** Visit our web site for replacement parts, product support, a list of authorized service centers in the US and customer service contact information at [www.razor.com](http://www.razor.com). Please have the product I.D. code (located on the white label of your product) available for better assistance. Additional Customer Service contact information is listed at the back of this manual.

## ASSEMBLY AND SET-UP

### ▣ Attaching Flag

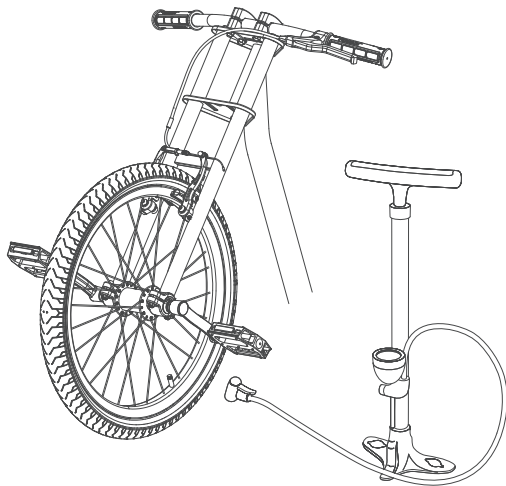


**1** Assemble flag as shown

**2** Insert flag into fixed hole located on seat.

### ▣ Inflating the Tire

The tire is inflated when shipped, but will invariably lose some pressure between the point of manufacturing and your purchase. **Inflate the tire to the correct PSI before first time use.** Periodically check the tire. Reinflate when needed.



**1** Using a bicycle tire pump equipped for a Schrader valve, inflate the front tire to the PSI indicated on the sidewall of the tire.

#### **⚠ WARNING:**

Do not use the DXT for the first time until you have inflated the tire to the correct PSI. Failure to do so may damage your drift trike and will void your warranty.

#### **⚠ WARNING:**

Do not over inflate, as this could damage the tire or wheel.

**Note:** The pressurized air supplies found at gasoline stations are designed to inflate high-volume automobile tires. If you decide to use such an air supply to inflate your tire, first make sure the pressure gauge is working, then use very short bursts to inflate to the correct PSI. If you inadvertently over-inflate the tire, release the excess pressure immediately.

## PRE-RIDE CHECKLIST



### Brake

Check the brake for proper function. When you squeeze the lever, the brake should provide positive braking action.



### Tire/Wheels

Periodically inspect the tire/wheels for excess wear and replace as needed. Regularly check the tire pressure and inflate as needed. If you get a flat tire, the inner tube can be patched or a new tube can be purchased from Razor or an authorized repair center.



### Frame, Fork and Handlebars

Check for cracks or broken connections. Although broken frames are rare, it is possible for an aggressive rider to run into a curb or object and wreck, bend or break the frame. Get in the habit of inspecting your product on a regular basis.



### Hardware/Loose Parts

Check and secure all fasteners before every ride. There should not be any unusual rattles or sounds from loose parts or broken components. If the unit is damaged, do not ride. **Reference "Safety Warnings" on page 1 of this manual.**



### Safety Gear

Always wear proper protective gear, such as an approved safety helmet. Elbow pads and kneepads are recommended. Always wear closed toe shoes (lace-up with rubber soles) and keep shoelaces tied and out of the way of the wheels. **NEVER RIDE BAREFOOTED OR IN SANDALS.**



### Laws and Regulations

Always check and obey any local laws or regulations.



### Insurance

Do not assume that your existing insurance policies necessarily provide coverage for product use. Check with your insurance company for information regarding insurance.



### Be Careful!

Use extra caution on steep or long hills. Avoid excessive speeds. Never ride in traffic or on the street and watch your surroundings for pedestrians, bikers, boarders and skaters.

Maintain a hold on the handlebars at all times.

**Need Help?** Visit our web site for replacement parts, product support, a list of authorized service centers in the US and customer service contact information at [www.razor.com](http://www.razor.com). Please have the product I.D. code (located on the white label of your product) available for better assistance. Additional Customer Service contact information is listed at the back of this manual.

## USAGE

### ▣ Riding the DXT



- Place both hands on the handlebars and both feet on the pedals.
- Pedal the DXT to desired riding speed
- Coast when drifting
- Straighten front wheel before pedaling when a drift is completed

### **⚠ WARNING:**

Drifting while pedaling may involve sharp turns of the front wheel, which may cause the wheel to make contact with rider's lower leg. Either don't do that, or if you do be aware it may be necessary to temporarily remove your foot from pedal to avoid contact with wheel. Such turns present increased risk of injury.

**Note:** Keep both feet on the foot pedals when unit is in motion.

### ▣ Stopping the DXT



- To stop the unit, apply the brake lever until the unit comes to a complete stop.



## USAGE

### ❑ Drifting the DXT



**Correct**

- Best foot position when drifting is to coast and "brace" yourself with the "inside" pedal on the turn. This will both help control the drift and will allow the "outside" leg to best avoid contact with the wheel.



**Incorrect**

#### **⚠ WARNING:**

Drifting while pedaling may involve sharp turns of the front wheel, which may cause the wheel to make contact with rider's lower leg. Either don't do that, or if you do be aware it may be necessary to temporarily remove your foot from pedal to avoid contact with wheel. Such turns present increased risk of injury.

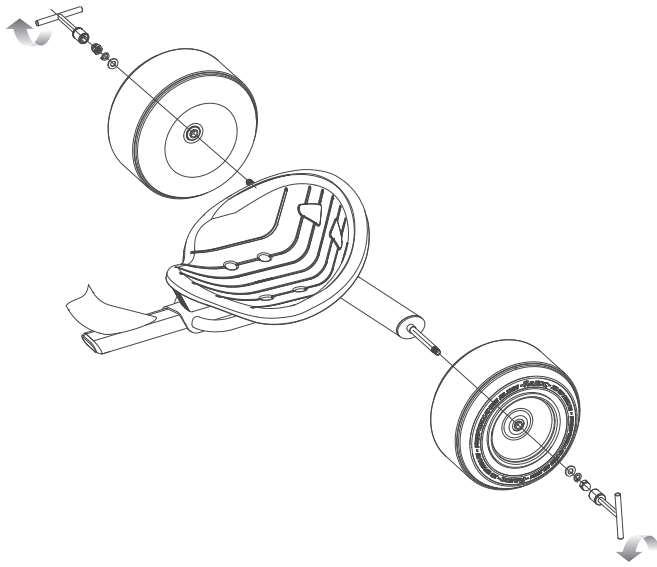
**Note:** Keep both feet on the foot pedals when unit is in motion.

**Need Help?** Visit our web site for replacement parts, product support, a list of authorized service centers in the US and customer service contact information at [www.razor.com](http://www.razor.com). Please have the product I.D. code (located on the white label of your product) available for better assistance. Additional Customer Service contact information is listed at the back of this manual.

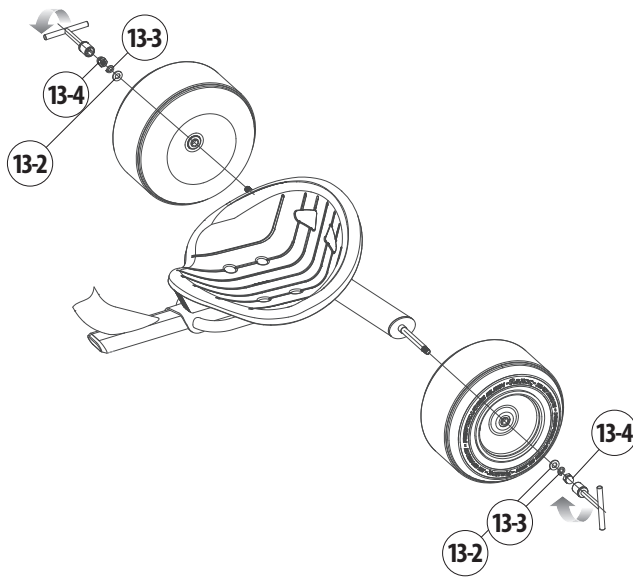
# REPAIR AND MAINTENANCE

## □ Rear Wheel Replacement

Required Tool: 16 mm Wrench



**1** Loosen the 16 mm locknut and remove rear wheel(s).



**2** Install replacement wheel(s) and tighten securely in place.  
Note the sequence of the hardware.

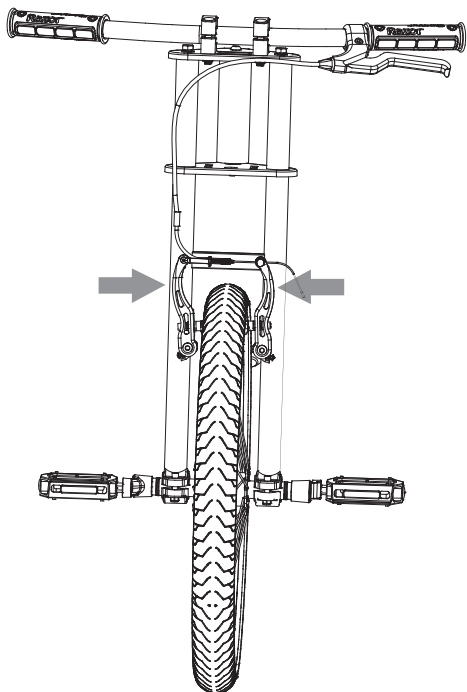
### Rear Wheel Hardware Sequence

- 13-2. Flat Washer
- 13-3. Spring Washer
- 13-4. Locknut

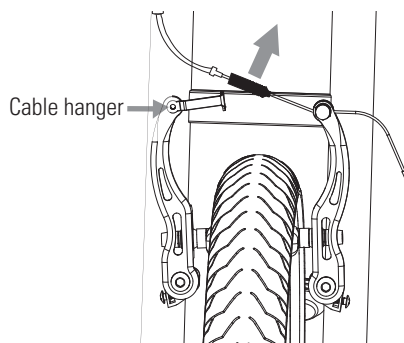
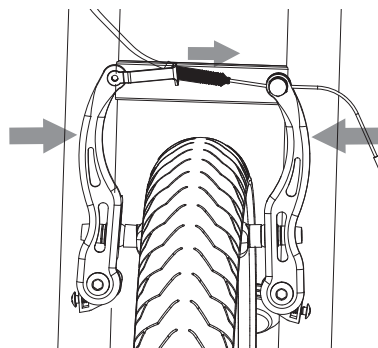
## REPAIR AND MAINTENANCE

### □ Front Wheel Replacement

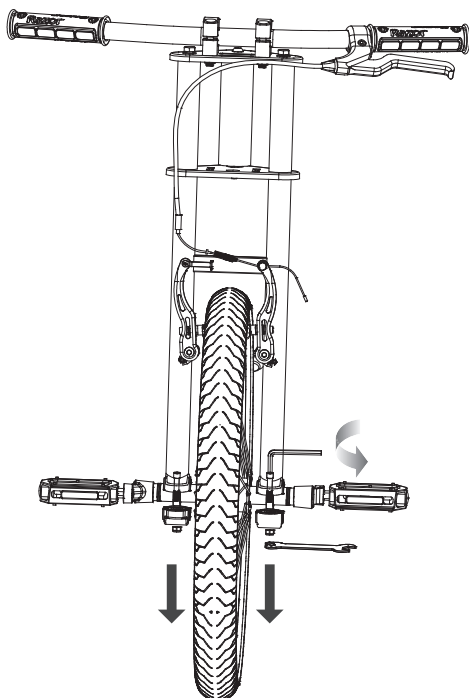
**Required Tools:** 5 mm Allen Wrench, 10 mm Wrench



**1** Squeeze both sides of the caliper brake together.



**2** Slide the black rubber cover over and carefully release the brake cable from the cable hanger.



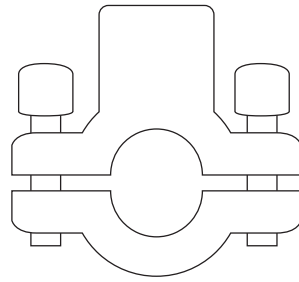
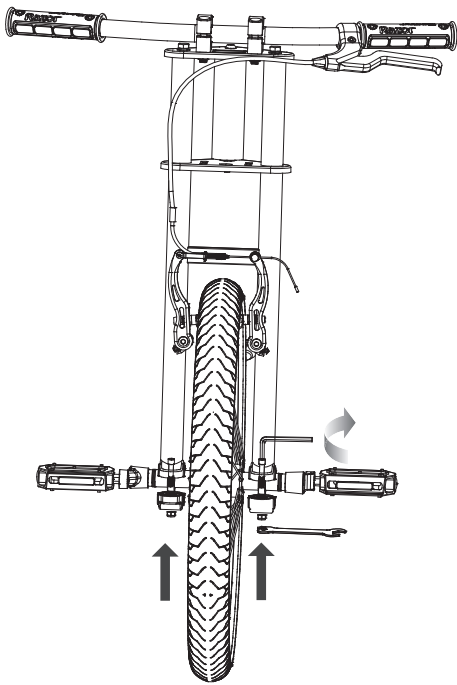
**3** Using 5 mm Allen wrench and a 10 mm wrench, loosen the four (4) bolts on the fork clamps, (2 on each side of the fork) and remove front wheel.

**Need Help?** Visit our web site for replacement parts, product support, a list of authorized service centers in the US and customer service contact information at [www.razor.com](http://www.razor.com). Please have the product I.D. code (located on the white label of your product) available for better assistance. Additional Customer Service contact information is listed at the back of this manual.

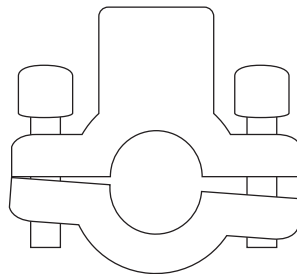
## REPAIR AND MAINTENANCE

### □ Front Wheel Replacement (Continued)

**Required Tools:** 5 mm Allen Wrench, 10 mm Wrench



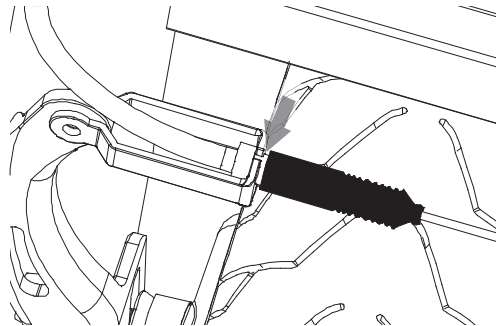
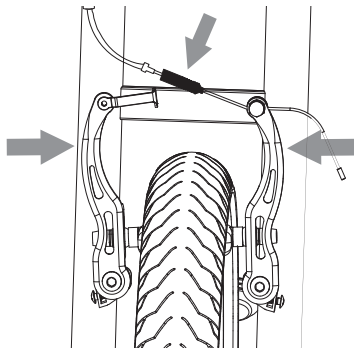
**Correct**



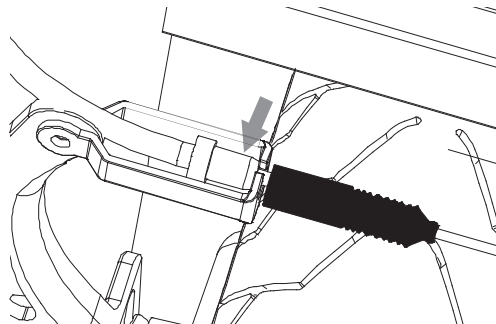
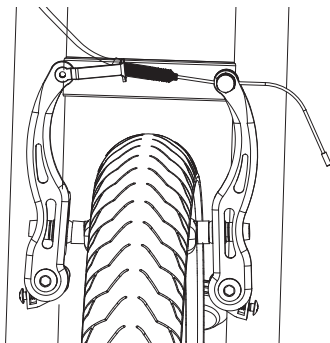
**Incorrect**

**4** Install replacement front wheel and re-tighten bolts until front wheel is securely in place.

**Note:** Make sure clamps are tightened evenly on both side.



**Correct**



**Incorrect**

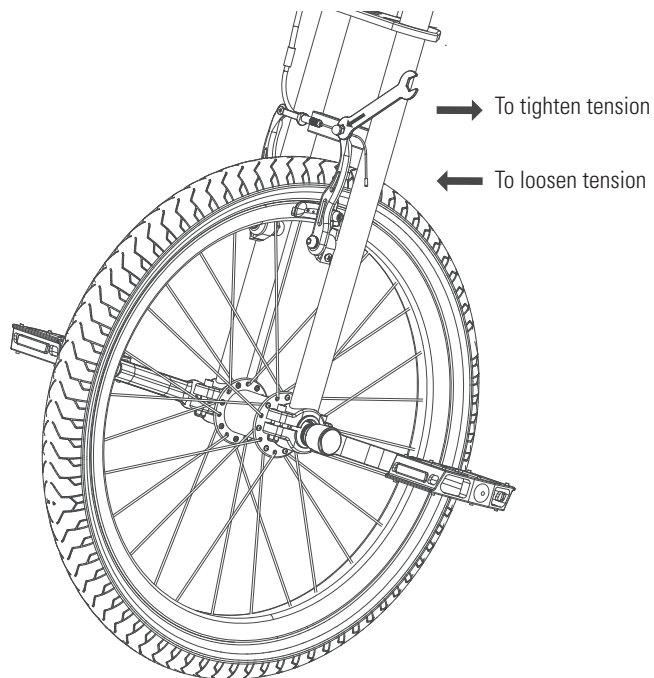
**5** Squeeze caliper brake together and place brake cable back into the cable hanger.

**Note:** Correct position of brake cable in the cable hanger.

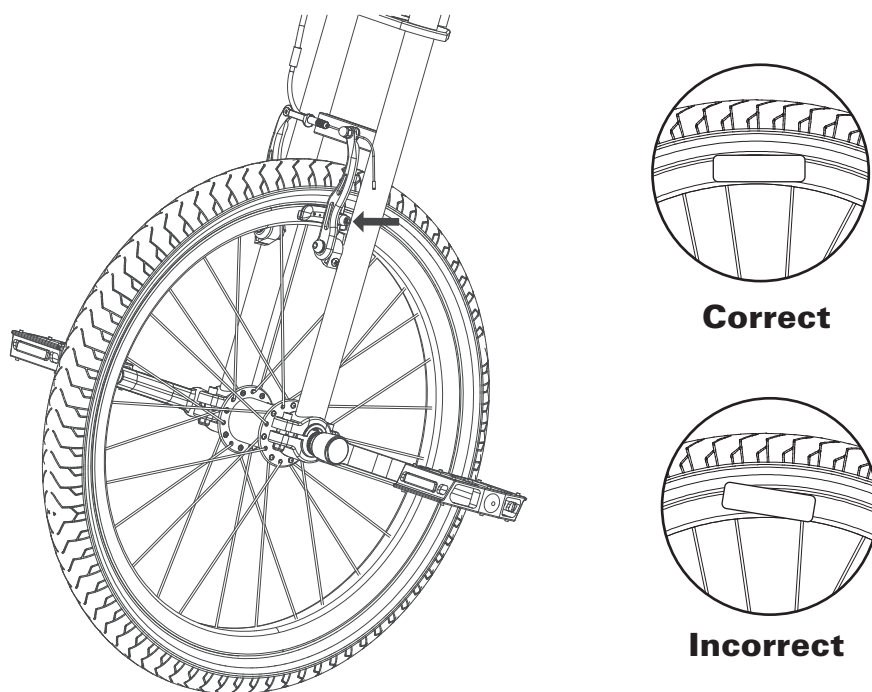
## REPAIR AND MAINTENANCE

### □ Adjusting the Brake

**Required Tools:** 5 mm Allen Wrench, 10 mm Wrench



**1** Using 10 mm wrench, loosen brake cable locknut (counter clockwise), squeeze brake lever and carefully pull brake cable outward to tighten tension or push inward to loosen tension.



**2** Using a 5 mm Allen wrench loosen bolt on the brake pad to align brake pad with the rim. Tighten bolt to secure brake pad in place. Follow these same instructions on the opposite side.

**Need Help?** Visit our web site for replacement parts, product support, a list of authorized service centers in the US and customer service contact information at [www.razor.com](http://www.razor.com). Please have the product I.D. code (located on the white label of your product) available for better assistance. Additional Customer Service contact information is listed at the back of this manual.

## REPAIR AND MAINTENANCE

### **Cleaning**

Wipe with a damp cloth to remove dirt and dust. Do not use industrial cleaners or solvents, as they may damage the surfaces. Do not use alcohol, alcohol-based or ammonia-based cleaners, as they may damage or dissolve the plastic components or soften the decals or decal adhesive.

### **Wheels and Bearings**

Under normal circumstances and conditions, Razor wheels and wheel bearings are maintenance free. Nonetheless, it is the responsibility of the owner or guardian to periodically inspect the wheels for wear and tear, the axle for proper tightness, bearings for side-to-side play, and for loose parts. When a wheel develops play, this is an indication of excess wear and replacement is necessary. Replace immediately with only genuine Razor wheels. Worn, tires, wheels/bearings are considered normal wear-and-tear and are not covered by the Razor Warranty. Wheels other than genuine Razor wheels may not be compatible with your DXT. The use of anything other than genuine Razor replacement parts may affect your safety and will void your warranty.

### **Replacement Parts**

The most frequently requested replacement parts are available for purchase at some Razor retail partners. For the complete selection of replacement parts visit [shop.razor.com](http://shop.razor.com).

### **Service Centers**

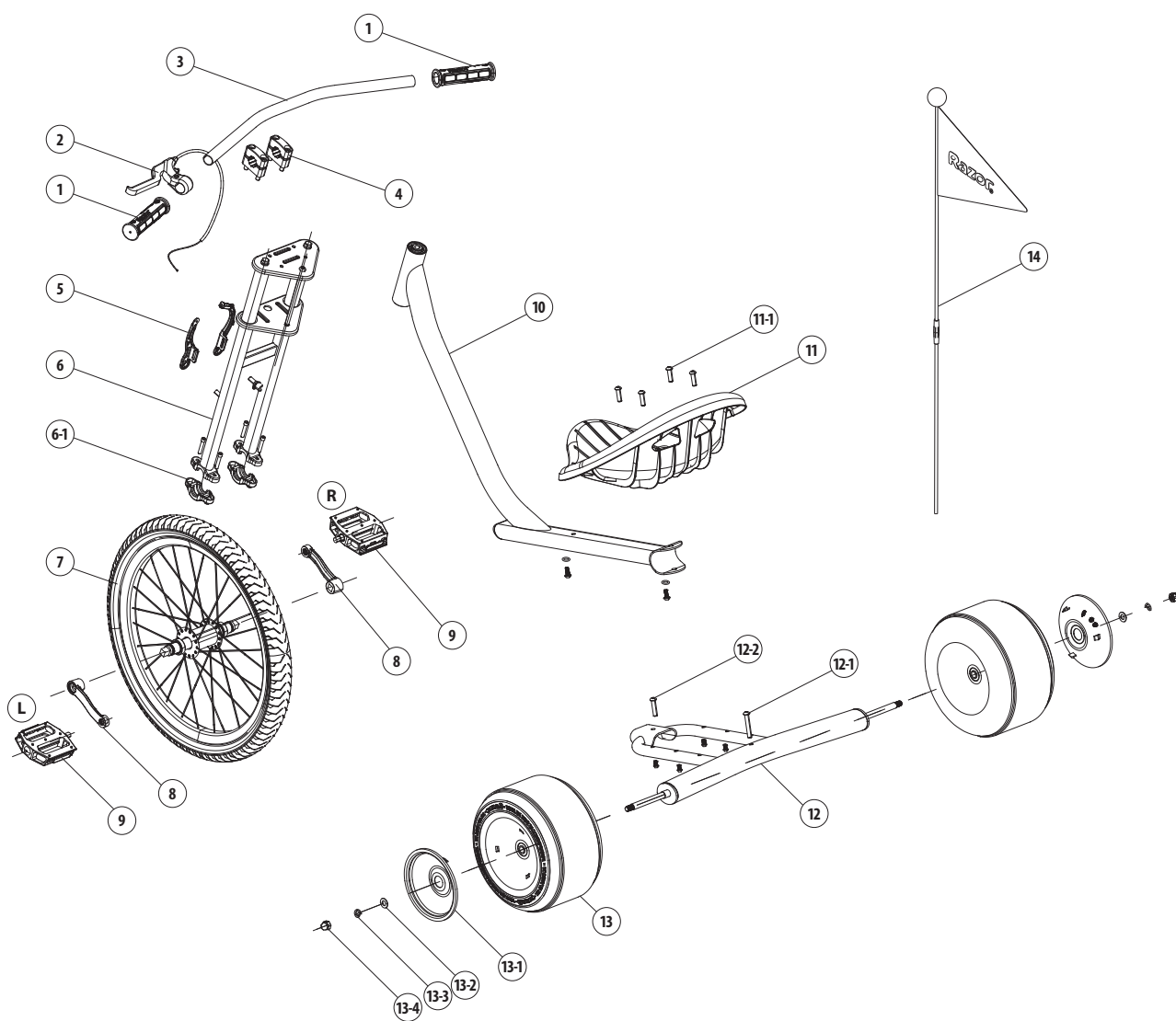
For a list of authorized Razor service centers:

- Check online at [www.razor.com](http://www.razor.com).
- Additional Customer Service contact information is listed at the back of this manual.

# DXT PARTS

Keep your product running for years with genuine Razor parts. Visit our website to purchase replacement parts. (Specifications subject to change without notice.)

- |                                   |                                   |                          |
|-----------------------------------|-----------------------------------|--------------------------|
| 1. Handlebar Grips (x2)           | 8. Crank (L/R)                    | 13. Rear Wheel (x2)      |
| 2. Brake Lever Assembly           | 9. Pedal (L/R)                    | 13-1. Rim Cover (x2)     |
| 3. Handlebars                     | 10. Downtube                      | 13-2. Flat Washer (x2)   |
| 4. Handlebar Clamps (Upper/Lower) | 11. Seat                          | 13-3. Spring Washer (x2) |
| 5. Caliper Brake                  | 11-1. Seat Coupling Bolts (x4)    | 13-4. Locknut (x2)       |
| 6. Front Fork                     | 12. Rear Frame                    | 14. Flag                 |
| 6-1. Front Fork Clamps            | 12-1. Frame Coupling Bolt (Long)  |                          |
| 7. Front Wheel                    | 12-2. Frame Coupling Bolt (Short) |                          |



## WARRANTY

### Razor Limited Warranty

The manufacturer warrants this product to be free of manufacturing defects for a period of 6 months from date of purchase. This Limited Warranty does not cover normal wear and tear, or any damage, failure or loss caused by improper assembly, maintenance, or storage.

This Limited Warranty will be void if the product is ever:

- used in a manner other than for recreation or transportation;
- modified in any way;
- rented.

The manufacturer is not liable for incidental or consequential loss or damage due directly or indirectly to the use of this product.

Razor does not offer an extended warranty. If you have purchased an extended warranty, it must be honored by the store at which it was purchased.

For your records, save your original sales receipt with this manual and write the serial number below.

---

## CUSTOMER SERVICE CONTACT INFORMATION

**Need Help?** Visit our web site for replacement parts, product support, a list of authorized service centers in the US and customer service contact information at [www.razor.com](http://www.razor.com). Please have the product I.D. code (located on the white label of your product) available for better assistance. Additional Customer Service contact information is listed below:

### UNITED STATES

Razor USA LLC  
P.O. Box 3610  
Cerritos, CA 90703  
USA

+1 866 467 2967  
*Monday - Friday*  
*8:00 AM - 5:00 PM Pacific Time*

### EUROPE

Razor USA (Europe)  
Handelsweg 2  
2742 RD Waddinxveen  
Netherlands

+44 (0) 120 267 2702

### ASIA

Razor USA (Asia)  
P.O. Box 3610  
Cerritos, CA 90703  
USA

+81 50 7579 6622  
[info@razor-asia.com](mailto:info@razor-asia.com)

### DISTRIBUTED IN THE UK BY:

Re:creation Limited  
2 Meadows Business Park  
Station Approach, Blackwater  
Camberley, Surrey GU17 9AB  
United Kingdom

+44 (0) 118 973 6222 *Tel*  
+44 (0) 118 973 6220 *Fax*  
[sales@recreationltd.co.uk](mailto:sales@recreationltd.co.uk)

U.S. Patent No. D593,910 S

Printed in China for Razor USA LLC.

### DISTRIBUTED IN AUSTRALIA BY:

Funtastic Limited  
Level 2, Tower 2, Chadstone Place  
1341 Dandenong Road  
Chadstone VIC 3148  
Australia

+1 800 244 543  
[info@funtastic.com.au](mailto:info@funtastic.com.au)

Copyright © 2003-2015 Razor USA, LLC. All rights reserved. DXT™, Razor® and the Razor logo design are among the registered trademarks of Razor USA LLC in the United States and/or select foreign countries.